

# Crook County Fair

July 25-Aug. 2, 2009

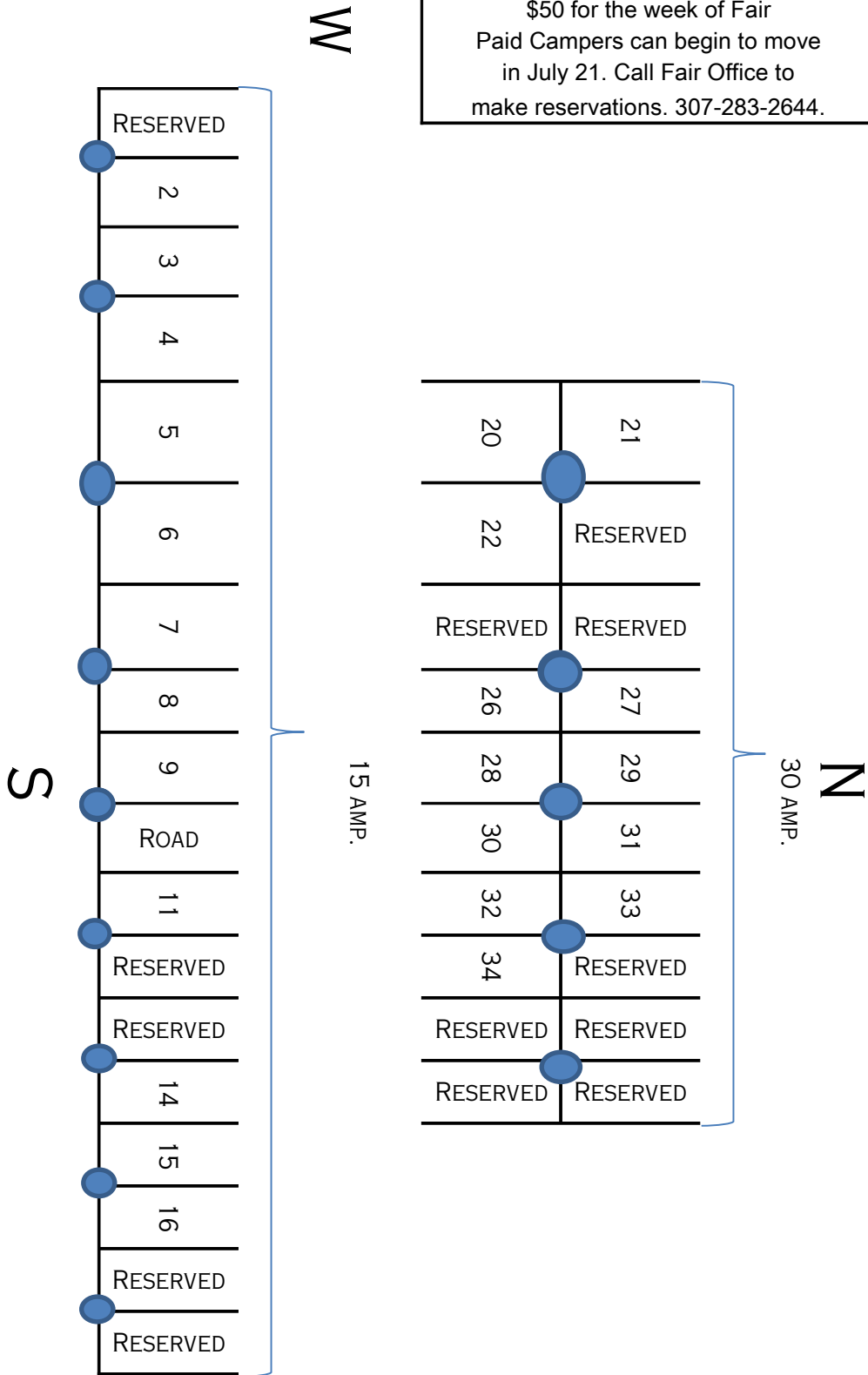
Campground Reservations

\$50 for the week of Fair

Paid Campers can begin to move

in July 21. Call Fair Office to

make reservations. 307-283-2644.



W

E

S

N

15 AMP.

30 AMP.